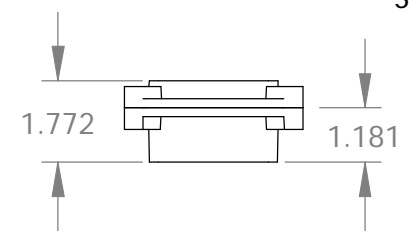
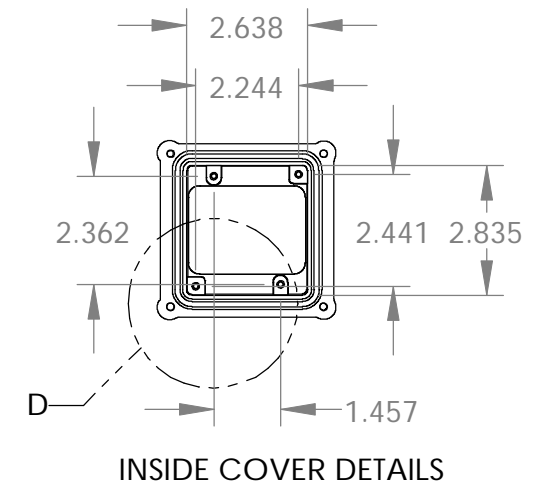
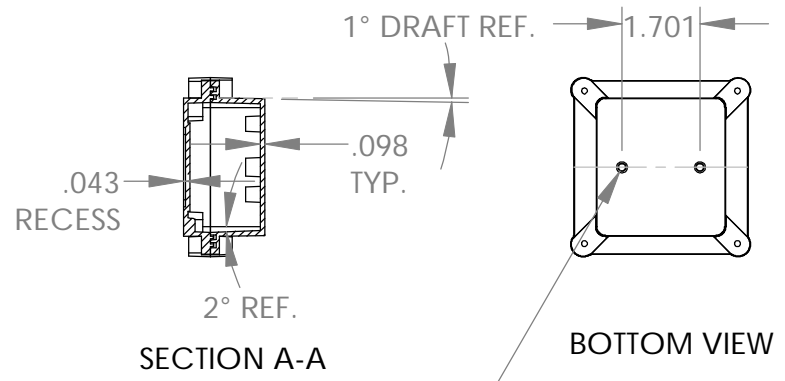
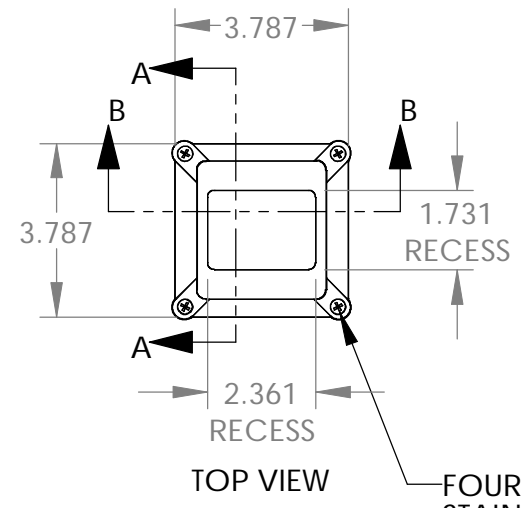
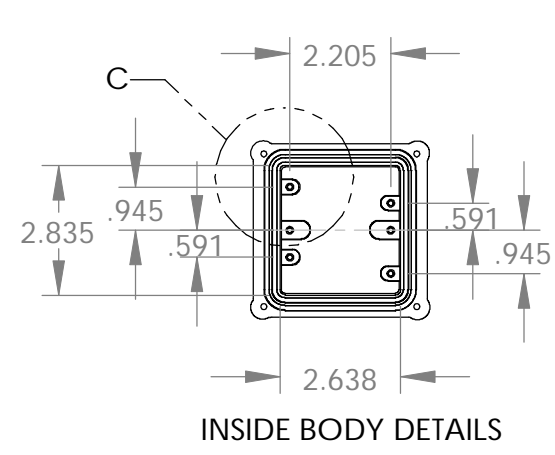
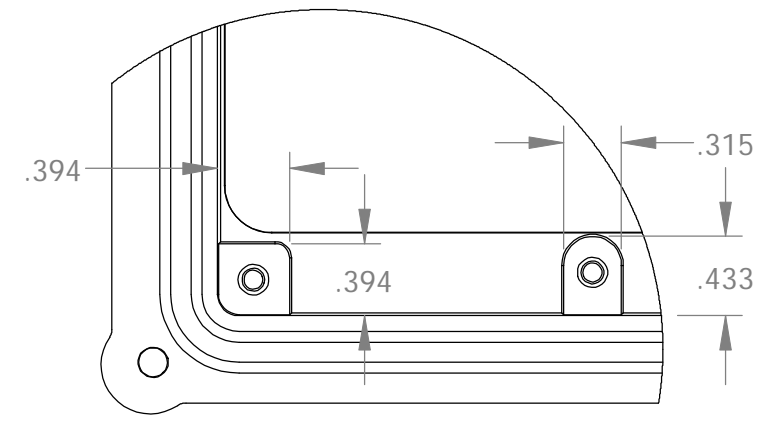
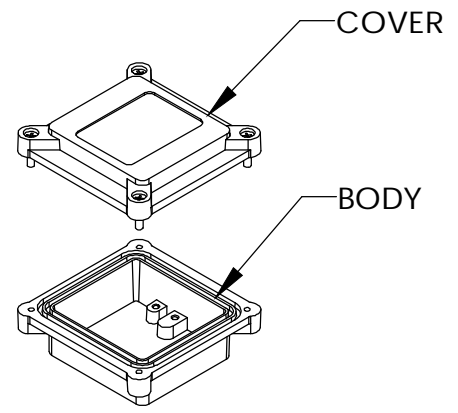
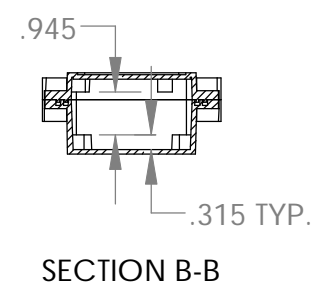
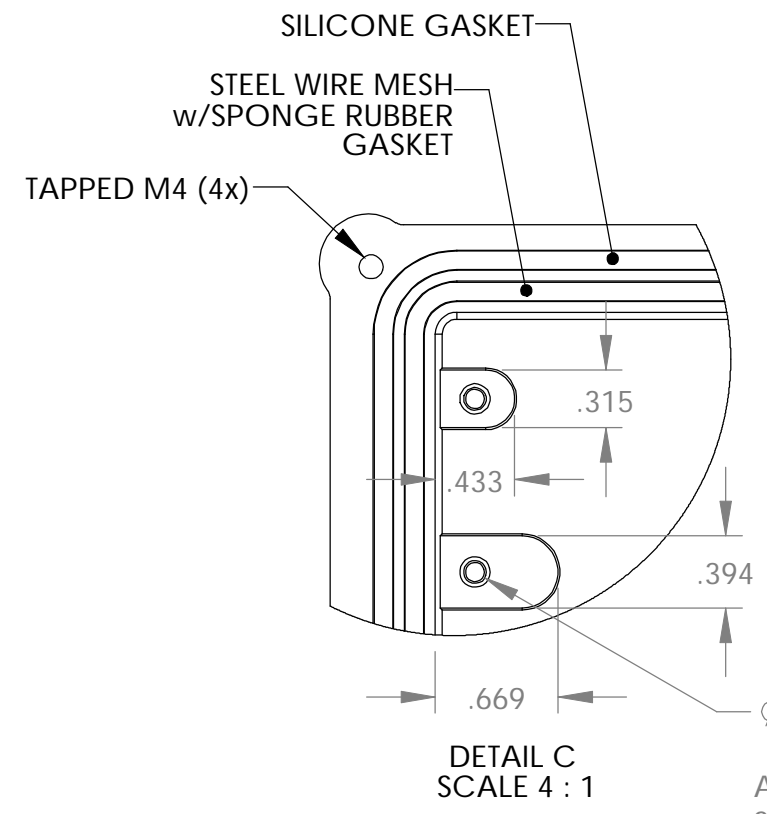


PART NAME	NEMA DIE CAST BOX WITH EMI/RFI SHIELDING	PART No.	ANS-3801 ANS-3801-B	REVISION DATE	-
-----------	------------------------------------------	----------	------------------------	---------------	---



FOUR (4) M4 x 20mm (.787") LG. STAINLESS STEEL CAPTIVE SCREWS

$\phi .175 \times .315 \text{ DEEP (2x)}$
ACCEPTS M5 x 10mm (.394") LG. SELF-TAPPING SCREWS (NOT SUPPLIED)



$\phi .125 \times .315 \text{ DEEP (6x) IN BODY (4x) IN COVER}$
ACCEPTS M3.5 x 6mm (.236") LG. SELF-TAPPING SCREWS (NOT SUPPLIED)

MEETS NEMA 1, 2, 4, 4X, 12, 13 AND IP65 RATINGS
MATERIAL - ALUMINUM ALLOY ADC-12
FINISH - NATURAL (NO SUFFIX PART NO.)
 - SMOOTH BLACK (-B SUFFIX PART NO.)
TOLERANCES: ALL HOLE DIAMETERS $\pm .005$
 ALL OTHER DIMENSIONS $\pm .015$